



SOGEVAC

SV 630 B(F) - 750 B(F)

Single-stage, oil-sealed
Rotary Vane Vacuum Pumps



SOGEVAC Rotary Vane Vacuum Pumps

SV 630 B(F) and SV 750 B(F)



SOGEVAC SV630 BF with water cooling

Advantages:

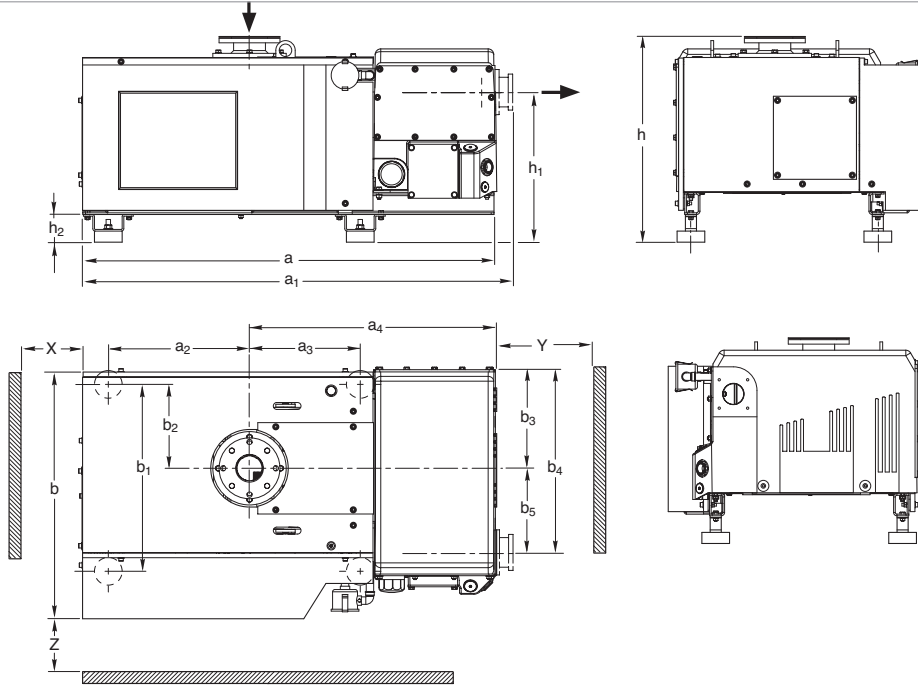
- Very low rotational speed increases the lifetime of the pump and leads to noise level reduction
- Extremely low noise level in any working conditions
- Reduced number of oil pipes
- Reduced operational costs: lower oil volume and less exhaust filters necessary
- Simplified maintenance thanks to an easy access to all key components
- Interchangeability to SV 630
- Air or water-cooling and many motors and options available
- Competitive price-to-performance ratio
- Close-couple adapter for direct mounting of roots pumps (RUVAC 1001 and 2001, RUVAC WH 4400)
- ATEX IIC T3 Cat. 3 version internal/external available
- PFPE versions available

Ordering Information Accessories

Cat. No.	Type / Description
711 30 114	Oil drain valve (standard with SV 630/750 BF)
971 438 170	Gas ballast kit, electromagnetic, 24 V DC. Standard with SV 630/750 BF
971 446 490	Gas ballast standard, manual. Standard with SV 630/750 B
971 438 160	2nd. gas ballast valve, 24 V DC for SV 630/750 BF. Not available for SV 630/750 B
971 438 340	2nd. gas ballast valve, manual for SV 630/750 B. Not available for SV 630/750 BF
951 95	Exhaust filter monitoring gauge
971 425 760	Oil level check for SV 630/750 B and SV 630/750 BF
712 36 390	Oil filter bypass for SV 630/750 B and SV 630/750 BF
712 22 360	Exhaust filter overpressure switch
971 438 540	Exhaust kit DN 100 PN 10 - 100 ISO-K for SV 630/750 B. Standard with SV 630/750 BF
971 430 550	Exhaust kit DN 100-100 ISO K for SV 630/750 BF. Standard with SV 630/750 B

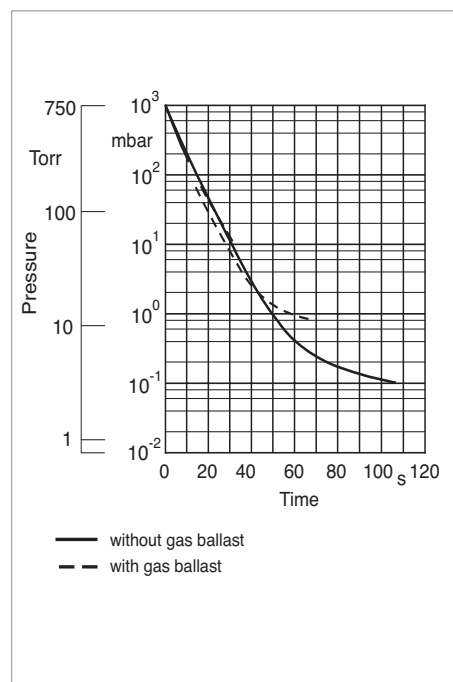
SOGEVAC Rotary Vane Vacuum Pumps

SV 630 B(F) and SV 750 B(F)

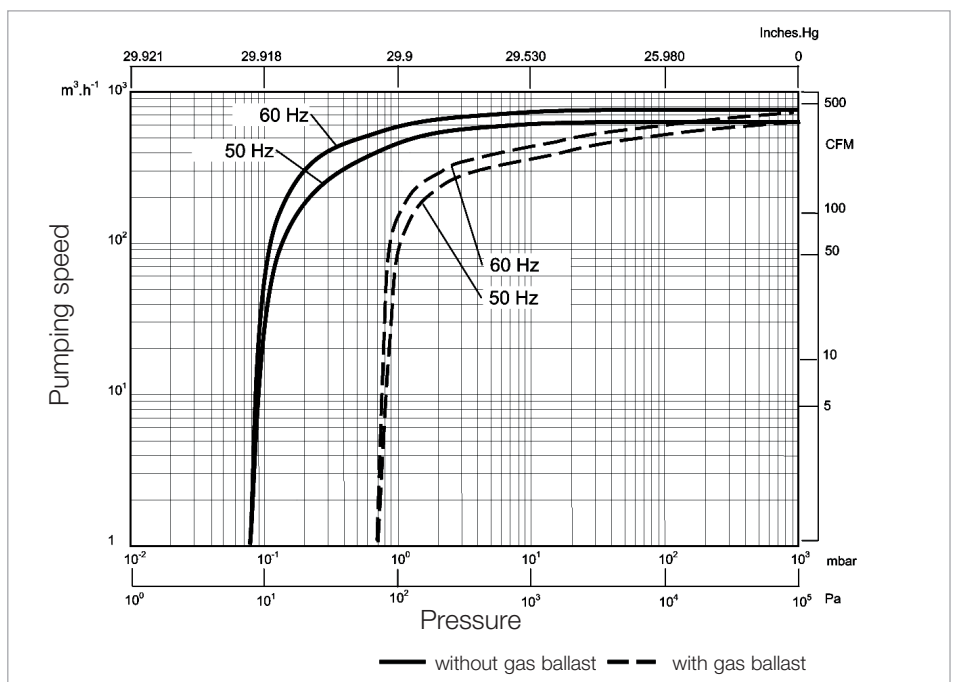


Type		a	a ₁	a ₂	a ₃	a ₄	b	b ₁	b ₂	b ₃	b ₄	b ₅	h	h ₁	h ₂	X	Y	Z
SV 630/750 B	mm	1510	1566	510	400	887	909	675	303	365	673	308	740	540	100	>500	>500	>500
	in.	59.45	61.65	20.08	15.75	34.92	35.79	26.57	11.93	14.37	26.50	12.13	29.13	21.26	3.94	19.69	19.69	19.69
SV 630/750 BF	mm	1510	1566	510	400	887	909	675	303	365	673	308	638	480	40	>500	>500	>500
	in.	59.45	61.65	20.08	15.75	34.92	35.79	26.57	11.93	14.37	26.50	12.13	25.12	18.90	1.57	19.69	19.69	19.69

Dimensional drawing of the SOGEVAC SV 630 B(F) and SV 750 B(F)



Pump down characteristics for a 1000 l vessel at 50 Hz operation



Pumping speed characteristics of the SOGEVAC SV 630 B(F). For SV 750 B(F), refer to the 60 Hz data.

Technical Data

Ordering Information

SOGEVAC		SV 630 B(F)	SV 630 B(F)	SV 750 B(F)
		50 Hz	60 Hz	50 Hz
Nominal speed	m ³ x h ⁻¹	700		840
Pumping speed (according to PNEUROP)	m ³ x h ⁻¹	640		755
Ultimate partial pressure without gas ballast	mbar		≤ 8·10 ⁻²	
Ultimate partial pressure with standard gas ballast	mbar		≤ 0.7	
Ultimate partial pressure with two gas ballast valves	mbar		≤ 0.2	
Cooling			Air	
SV 630/750 B			Water	
SV 630/750 BF				
Motor power	kW	15		18.5
Rated rotational speed	rpm	820		1000
Noise level	dB(A)	72		75
Protection class			IP-55 F	
Oil filling min. / max.	l		20 / 23	
Oil type		Mineral Oil LEYBONOL LVO 130		
Intake flange		SV630/750 B: DN100 PN10 / DN100 ISO-K SV630/750 BF: DIN 160		
Exhaust flange		SV630/750 B: optional / SV630/750 BF: DN100 ISO-K		
Net weight (with oil filling)	kg	730	730	750

Ordering information	SV 630 B	SV 630 BF	SV 750 B	SV 750 BF
SOGEVAC rotary vane vacuum pump Europe version 15 kW, 380/660 V, 400/690 V, 415 V, 50 Hz	960 863	960 867	–	–
Wide range and Japan version, 18.5 kW, 200 V 220/380 V, 230/400 V, 50/60 Hz 240/415 V, 50Hz and 460 V, 60 Hz	960 862	960 866	*	*
Europe version, 18.5 kW, 380/660 V, 400/690 V, 415 V, 50 Hz	*	*	960 875	960 877
USA version, 25 HP, 230/440-460-480 V, 60 Hz	960 865	960 869	–	–

* For detailed information on our full scope of SOGEVAC pumps, please refer to our general catalog. Visit our webshop www.leyboldproducts.com.

Please contact us for more technical details on the entire SOGEVAC series.

Leybold

Leybold GmbH
Bonner Str. 498 · D-50968 Köln

T +49 (0) 221-347-0
F +49 (0) 221-347-1250
info@leybold.com

www.leybold.com

Leybold France S.A.S.
Parc du Technopolis, Bâtiment Beta
3, Avenue du Canada · F-91940 Les Ulis

T +33 (0)1 69 82 48 00
F +33 (0)1 69 07 57 38
sales.ctb@leybold.com

